

Fostex®

LOW LEAKAGE FLUX TYPE FULL RANGE SPEAKER UNIT

FE127E

Features

- 'ES cone' paper made of banana plant's fiber
- Newly designed center cap
- Repulsion type magnetically shielded circuit
- Ferrite magnet

Specifications

&

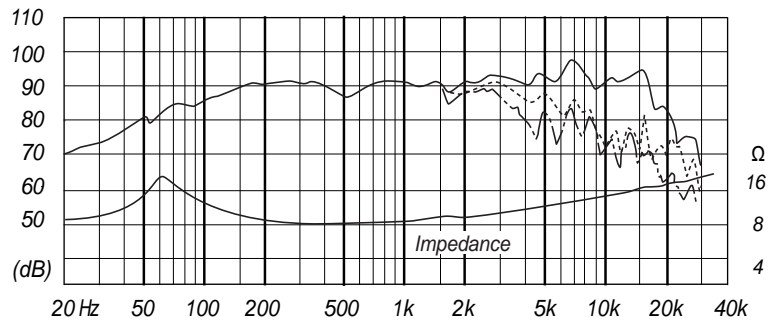
Thiele/Small Parameters

Size	:	120 mm / 4.7 in
Voice Coil Diameter	:	20 mm / 0.8 in
Cast / Stamped	:	Stamped
Impedance	:	8 Ω
Reproduction Frequency Response	:	fs - 20 kHz
Sound Pressure Level	:	91 dB/W(m)
Rated Input	:	15 W
Music Power	:	45 W
Magnet Material	:	Ferrite
Magnet Weight	:	
(main)	:	100 g / 0.220 lb
(cancel)	:	59 g / 0.130 lb
Net Weight	:	574 g / 1.265 lb

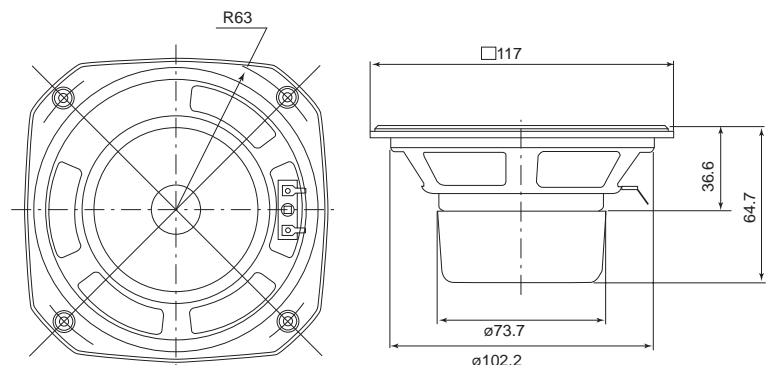
a	:	46 mm
D	:	92 mm
Sd	:	0.00665 m ²
Zn	:	8 Ω
Fs	:	70.4 Hz
Re	:	6.50 Ω
Le	:	n/a mH
Qms	:	3.33
Qes	:	0.50
Qts	:	0.43
Mms	:	2.98 g
BL	:	4.14 Telsa/m
Vas	:	9.9 L
Xmax	:	0.67 mm
Eff/η0	:	0.35 %
Cms	:	0.0016 mm/N
EBP	:	141



Frequency Response / Impedance



Dimensions & Mounting Information



Overall Diameter	:	117 mm / 4.6 in
Baffle Hole Diameter	:	102.2 mm / 4.0 in
Depth	:	64.7 mm / 2.5 in